

baridi

Baridi Splashback for Cooker Hoods, Extractor Fans, Range Hoods,

Model No's. DH193 DH194 DH195 DH453

Thank you for purchasing a Dellonda product. Manufactured to a high standard, this product will, if used according to these instructions, and properly maintained, give you years of trouble free performance.

Important Information

Please read these instructions carefully and note any safe operational requirements, warnings & cautions. Use the product correctly and with care for the purpose for which it is intended. Failure to do so may cause damage and/or personal injury and will invalidate the warranty. Keep these instructions safe for future use.



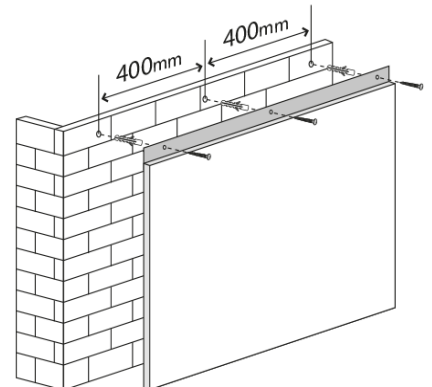
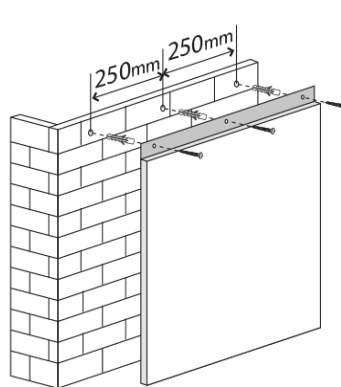
Refer to instruction manual

INSTALLATION

1. Carefully remove all packaging materials including the protective sheet. You may use a soft damp cloth to clean the surface and the edge of the splashback after removing the protective sheet.
2. Ensure that the surface of the wall is flat, and free of dust and dirt.
3. Place the splashback on the wall and mark the wall with a pencil through the holes in the splashback.
4. Drill 3 holes (hole dimension $\text{Ø}8 \times 45 \text{ mm}$) into the wall according to the diagrams below.

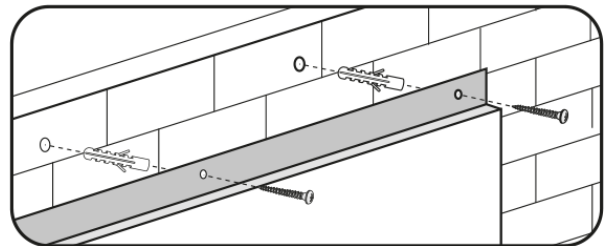


- Before drilling holes check that the wall is clear of any cables, pipes etc.
- Make sure that the screws and wall plugs being used are suitable for supporting your unit. Consult a qualified technician if you are unsure.



2 people are required to lift the unit during assembly, it is recommended that gloves are worn.

5. Use the screws and wall plugs provided to fix the splashback.
6. Tighten the screws and press the splashback to the wall.
7. Any gaps between the benchtop and the wall must be sealed to exclude moisture.



Environment Protection and Waste Protection

Recycle unwanted packaging materials. When this product is no longer required, or has reached the end of its useful life, please dispose of it in an environmentally friendly way. Drain any fluids (if applicable) into approved containers, in accordance with local waste regulations. It is our policy to continually improve products and we reserve the right to alter data, specifications and parts without prior notice. No liability is accepted for incorrect use of this product. Guarantee is 12 months from purchase date, proof of which is required for any claim.

Jack Sealey Ltd t/a Baridi, Kempson Way, Suffolk Business Park, Bury St Edmunds, Suffolk, IP32 7AR UK

Jack Sealey (EU) Ltd t/a Baridi, Farney Street, Carrickmacross, Co. Monaghan, A81 PK68 Ireland

Tel: 01284 757575 • Email: support@baridi.co.uk • Web: www.baridi.co.uk